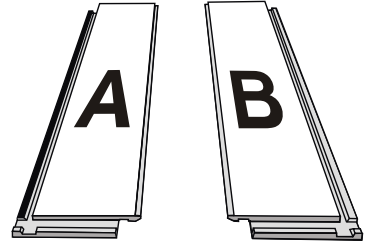
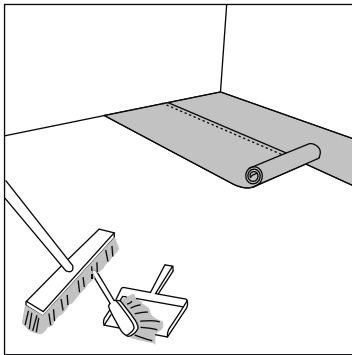


# Herringbone Parquet Flooring Installation Instruction



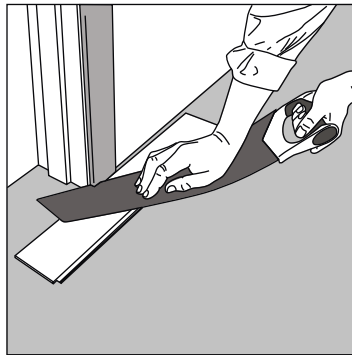
## A- and B-Panels

Two different types of panels are used to install the herringbone pattern. These panels are referred to as A- and B-panels. To differentiate between them, the A- panels are marked in black on the long side



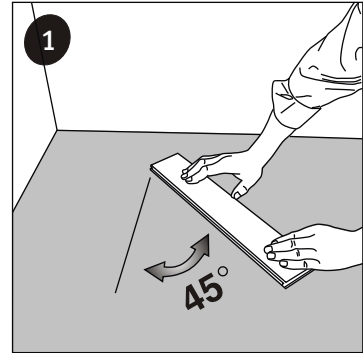
### Preparations:

Check the panels and make sure that the surface has no transport damaging before you start. After cleaning the subfloor you can roll over the vapor barrier and underlay material. The vapor barrier has to overlap minimum 20 cm.



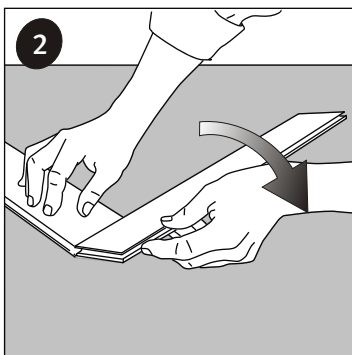
### Door mouldings and skirtings:

Put a panel (with the decorative side down) next to the door moulding and saw as shown in the figure. Then slide the panel under the moulding.



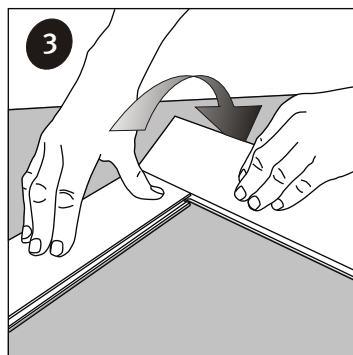
### 1. Getting started.

Choose a wall to start at and begin installing at the left corner. Start with an A-panel and place it with its long side marking facing the left wall at an angle of 45°. Make sure that the distance between the left wall and the panel is less than the length of one panel.



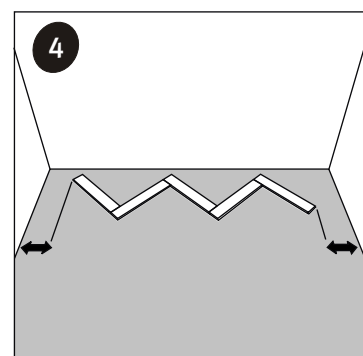
### 2. Connect next panel

Continue with a B-panel. Press the long side of the B-Panel at an angle against the short side of the previous installed A-panel. Fold down the B-panel flat to the floor to lock the panels tightly together. Check that the grooves on the two panels form a continuous line.



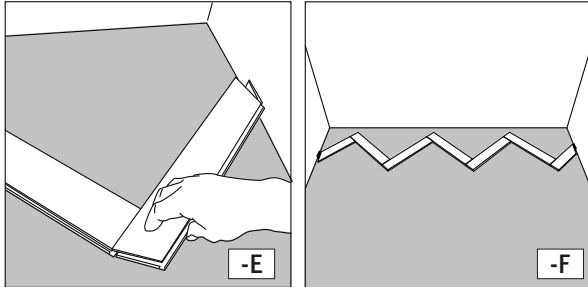
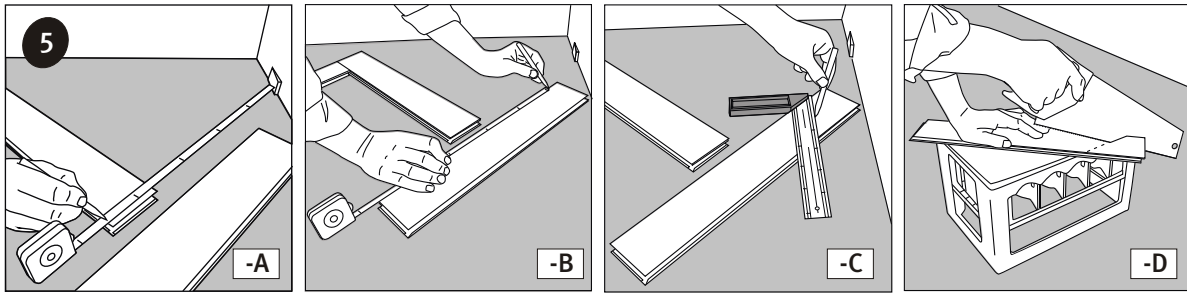
### 3. Connect additional panels

Next panel is an A-panel. Again, press the long side of the new A-panel at an angle against the short side of the previous B-panel and fold down. Continue like this with as many panels as may fit along the starting wall.



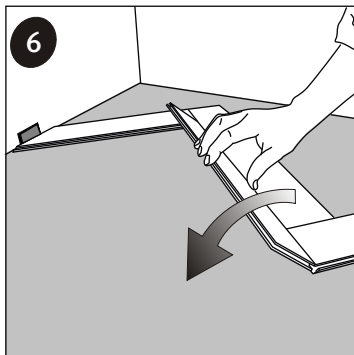
### 4. Center the first row

Check that the first row of panels is centered along the starting wall. Make sure that the distance to the walls on both sides are less than the length of one panel. If not, add a panel at the right side.



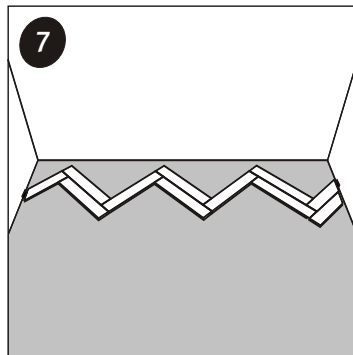
**5. Cut the end panels to size**

Measure and cut the end panels to size using a fine-toothed saw. Finish the first row with the cut end panels. Make sure that you leave a gap of 8-10 mm to each wall.



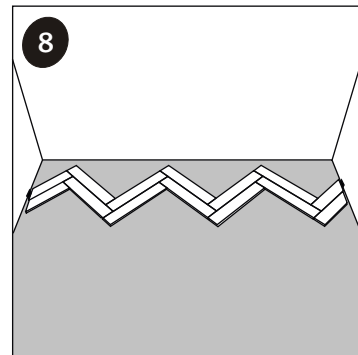
**6. Start the second row**

Start the next row with an A-panel. Place the new panel against the previous row and fold down.



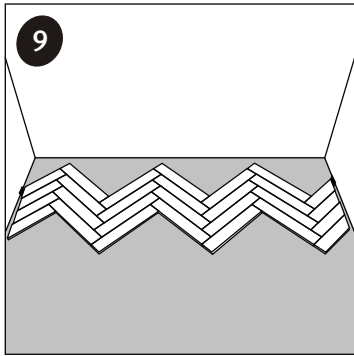
**7. Install the A-panels**

Continue from the left to the right and install all the A-panels in the second row. Finish with a piece of panel cut to size (step 5).



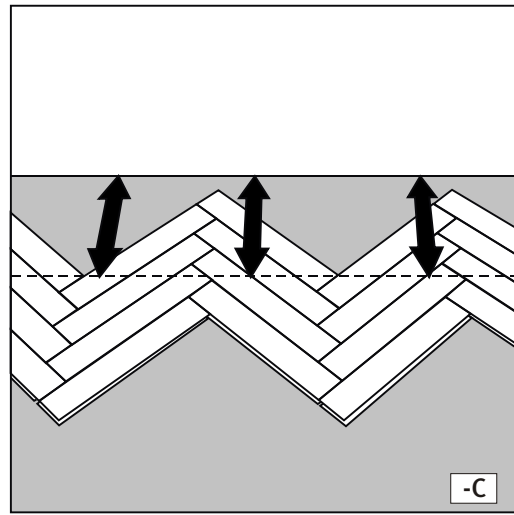
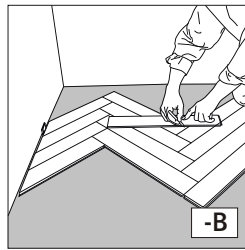
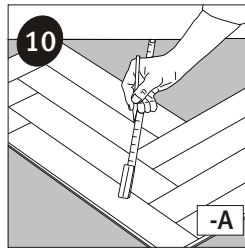
**8. Continue with the B-panels**

Now work in the opposite direction, from the right to the left and install all the B-panels in the second row. Finish with a piece of panel cut to size (step 5).



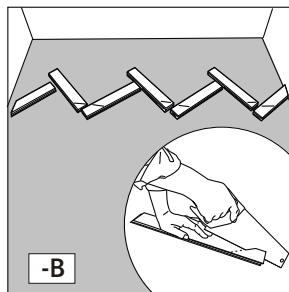
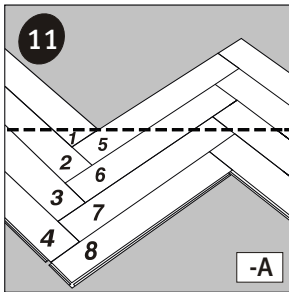
**9. Complete four rows**

Install additional rows to complete four full rows.



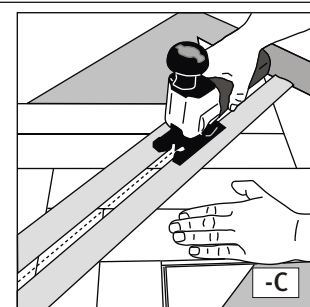
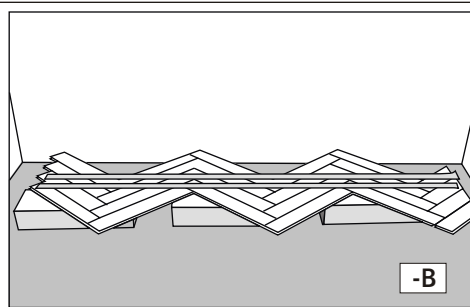
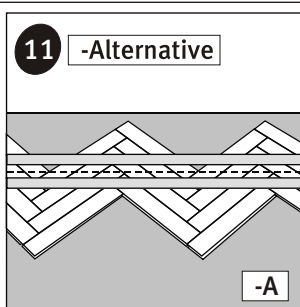
**10. Adjust the starting rows**

The first four rows have to be cut parallel to the wall. Measure and mark where to cut the floor panels at a fixed / parallel distance to the wall.



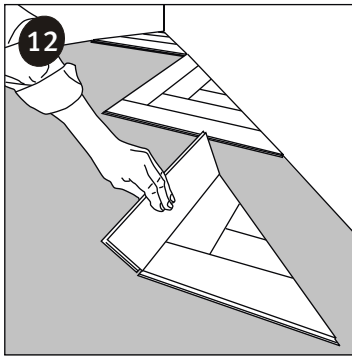
**11. Dismantle and cut**

Number the panels from 1 to ... . This will allow you to keep the panels in order. Dismantle the panels and cut them to size along the previous marked line.



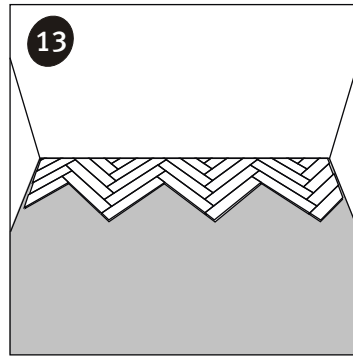
**11. Alternative way to cut the first rows**

Leave the left end-panels uninstalled. Tape along the marked line and place the flooring on top of a few flooring packages. Cut along the marked line. Then put the adjusted rows into place. Complete the first rows by installing the remaining end-panels. Start with the end-panel in the last row and finish at the first row



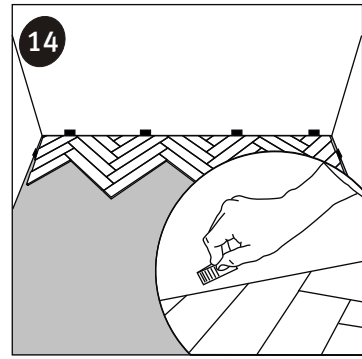
**12. Install the starting triangles**

Connect the cut starting panels to form triangular shapes, one by one. Start installing the triangles from the left corner. It is recommended to use glue to fix the smallest parts of the triangles into place by applying a small quantity of glue inside the groove.



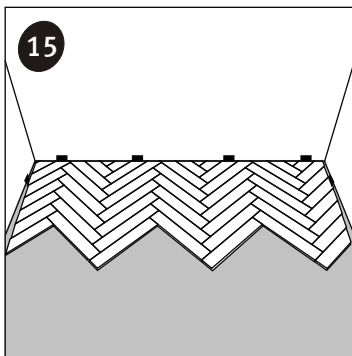
**13. Install a few more rows**

Connect the triangles by installing a few additional rows of panels. Start each row from the left to the right with the A-panels, finish with the cut piece of panel (step 5) and then install all the B-panels in the row. Finish with the left end panel, cut to size.



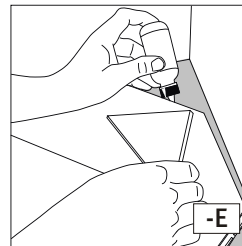
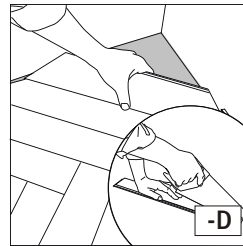
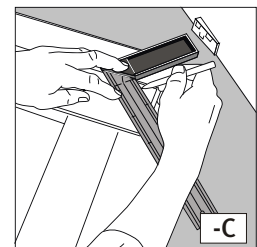
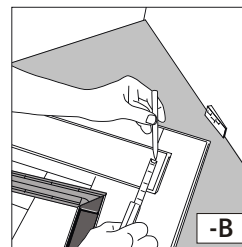
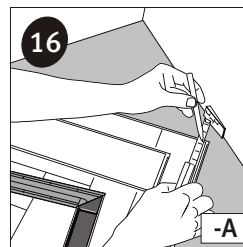
**14. Put in spacers**

Put in spacers between the flooring and the wall to ensure an expansion gap of 8 - 10 mm



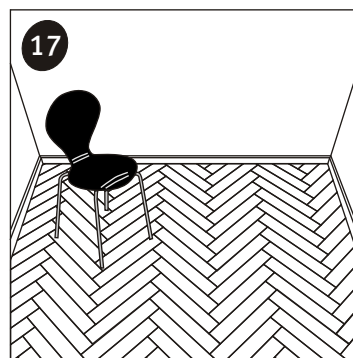
**15. Subsequent rows**

Start each subsequent row by installing the A-panels from the left to the right and complete the row by laying the B-panels from the right to the left



**16. Last row**

Measure and cut the panels in the last row to size. It is recommended to use glue to install the smallest pieces of panels. Apply a small quantity of glue inside the groove.



**17. Spacers and skirting**

Remove the spacers and cover the expansion gap with skirting boards or beadings.